

Inspection and Maintenance

Disconnect gas hose and turn heater off. Unplug and wait until the heater cools down.

- Be sure to carry out daily inspection and maintenance.
- Do not use the heater if you believe something is wrong.
- It is recommended that your heater be serviced periodically.

Points to check

1. There are no flammable materials in the vicinity of the heater.
2. Air filter is fitting correctly and is not dirty.
3. The hose is correctly connected without kinking or twisting.
4. There is no damage to the electric cord.

Maintenance



Caution

Wear gloves

- Be careful of sharp edges.

Warning

Do not use cleaning cloth, thinner, benzene, acid or alkaline detergent.
This will avoid discoloration of the paint and plastic components.

Maintenance of Heater Outer Casing

(Preferable to clean once a month)

Keep the heater clean

- Use damp soft cloth to wipe.
- Use mild soapy water for severe dirt.

MAINTENANCE OF THE LOUVRE

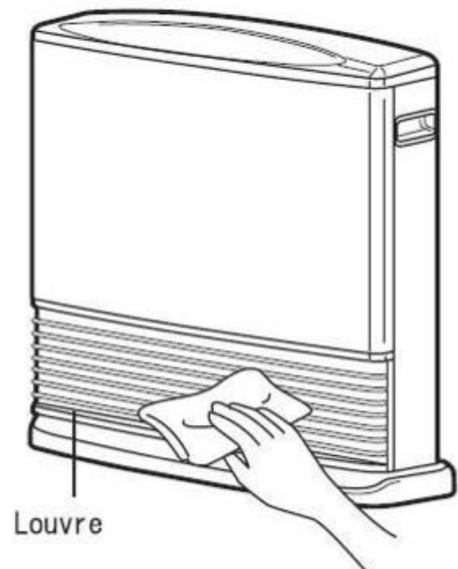
Use a vacuum cleaner to remove dirt from the louvre.

Make sure that the fan is not working before cleaning.
White powder may form on the louvre. Wipe off with soft cloth.

Caution

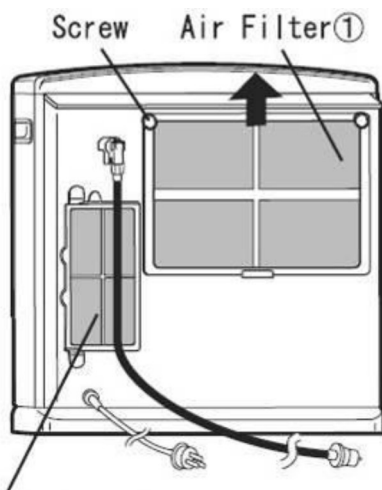
Do not press the louvre heavily. Do not apply strong pressure to the Louvre.

- The louvre may break causing discolouration of the floor or carpet due to the change in heat discharge.



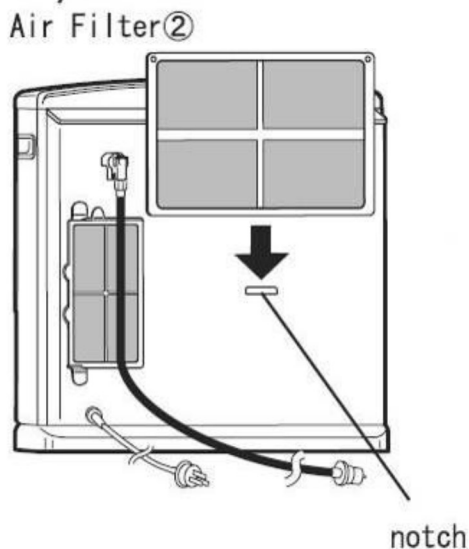
MAINTENANCE OF THE AIR FILTER

- If the Air Filter lamp flashes, clean Air Filters (1) and (2)
- Use a vacuum cleaner to remove dirt on the Air Filters.
- Air Filter (1) could be taken off to clean. Use mild soapy water for severe dirt and refit after drying. If Air Filter is wet, the heater may not operate correctly.
- Do not remove Air Filter (2)



REMOVE THE FILTER

1. Remove the screw.
2. Hold the upper side of Air Filter (1) and pull upward. (Do not hold and pull strongly. It may cause the air filter to break).



REFIT THE FILTER

1. Hold the upper side of the Air Filter (1) and place the filter onto the notch
2. Tighten the screw

Warning

The heater should not be operated without the filter. Please refit filter correctly.

Danger

If a gas leak is detected:

- Do not turn power switches on or off.
- Do not plug or unplug electrical appliances.
- Do not use the telephone.

Flame or sparks may ignite the gas and cause a fire:

- Cease operation immediately and close the gas valve.
- Open windows and doors for ventilation.
- Contact your gas supplier, a licensed plumber or Rheem Service on 131 031.

Warnings

- **DO NOT PLACE ARTICLES ON OR AGAINST THIS APPLIANCE.**
- **DO NOT SPRAY AEROSOLS IN THE VICINITY OF THIS APPLIANCE WHILST IT IS IN OPERATION.**
- **DO NOT USE OR STORE FLAMMABLE MATERIALS NEAR THIS APPLIANCE.**
- **DO NOT MODIFY THIS APPLIANCE.**
- **THIS HEATER IS NOT INTENDED FOR USE AS A FIREPLACE INSERT.**
- **NOT TO BE CONNECTED TO AN LPG GAS CYLINDER LOCATED INDOORS.**
- For information on the gas consumption and gas type please see data plate.
- Please ensure that the gas specified on the rating plate matches your gas supply. Using a different type of gas may cause an explosive ignition resulting in injury, damage to heater or malfunction of the oxygen depletion safety system. Do not install heater if it is the wrong gas type. Please contact your place of purchase immediately.
- Electrical supply must be 240v, 50 Hz.
- Use only the gas hose supplied with the heater to avoid risk of gas leakage.
- Ventilation and room sizing must comply with local regulations. This heater is not intended for a fireplace insert.
- Ensure your room is correctly ventilated while unit is operating. Continuous use decreases the oxygen level in the room which activates the oxygen depletion safety system.
- Do not allow curtains or other flammable materials or aerosol cans to come into contact with the heater. It may cause a fire or the pressure in the aerosol-can may increase resulting in an explosion.
- Do not use or store gasoline, benzene, aerosol or any other flammable material near this appliance. It may result in a fire.
- Do not post or allow children to post articles such as paper, cloth or any other foreign material into the louvres or air inlet of the heater. Do not block the louvres or the air inlet of the heater. This may cause a fire or overheat the appliance.
- Do not leave the heater unattended or alight when you leave the house.
- Do not sit, stand or sleep directly in front of the heater. Receiving direct heat continuously may cause low temperature burns. The aged, children, a very tired person, a person with sensitive skin or an intoxicated person must be supervised at all times.
- If your heater fails to operate correctly or you detect any unusual odours during its operation, cease operation immediately and close the gas valve. Refer to the trouble shooting section of these instructions and if the problem cannot be fixed please contact your gas supplier or Rheem service.
- This heater must be repaired or serviced by an authorised person. Repairs carried out by an unauthorised person may cause abnormal operation. The heater must be serviced at least once every three (3) years.

- Do not use this heater in areas where spray painting is taking place or in areas such as hairdressers where there may be lots of fluff and dust or where aerosols may be used.
- All replacement parts must be approved Paloma spare parts.
- This heater may circulate large volumes of air. If the air in the room contains any cigarette smoke or cooking vapours, it may affect the appearance of carpets, furniture and drapes, etc.
- Clean the air filter regularly (at least once a week).

Caution

- Do not move the heater during operation.
- Do not use for any other purpose other than for heating. Must only be used as a space heater.
- Do not touch the warm air outlet during operation. Supervise young children or infirm persons near the heater. Also ensure that children do not play with this appliance.
- Do not sit, stand or lean on the heater.
- Do not insert your fingers into the louvres or the air inlet of the heater.
- Do not cut the electrical cord to extend the lead. Install the heater where the original electrical cord reaches a wall socket.
- Do not unplug or shut down during operation. This may cause overheating.
- Do not place the heater near an opening door. The heater could be knocked over.
- Do not touch the electric plug with wet hands as this could cause an electric shock.
- Do not pull the electrical cord to unplug as this could break the cord and start a fire.
- Place a flat board for stability when placing the heater on soft or thick carpet. Placing directly on to a carpet may discolour the carpet.
- Ensure that recommended clearances are maintained at all times.
- This heater is designed for domestic household applications only. Using this heater in commercial applications will shorten its life significantly.
- In case of thunderstorms, cease operation and unplug the electrical cord.
- Do not use sprays containing silicon in the vicinity of the heater. It damages the oxygen depletion safety device.
- Do not install in a place where the heater may be affected by wind. The flame could be blown out by a strong wind.
- Do not place articles on or against or in front of warm air outlet or air filter of this appliance.
- If the heater is shut off by the oxygen depletion safety system, please ensure you ventilate the room immediately for satisfactory combustion.
- Prior to operation of the unit please ensure that the gas hose is removed from the holding clips, uncoiled and installed into your bayonet fitting without any kinks in the hose.