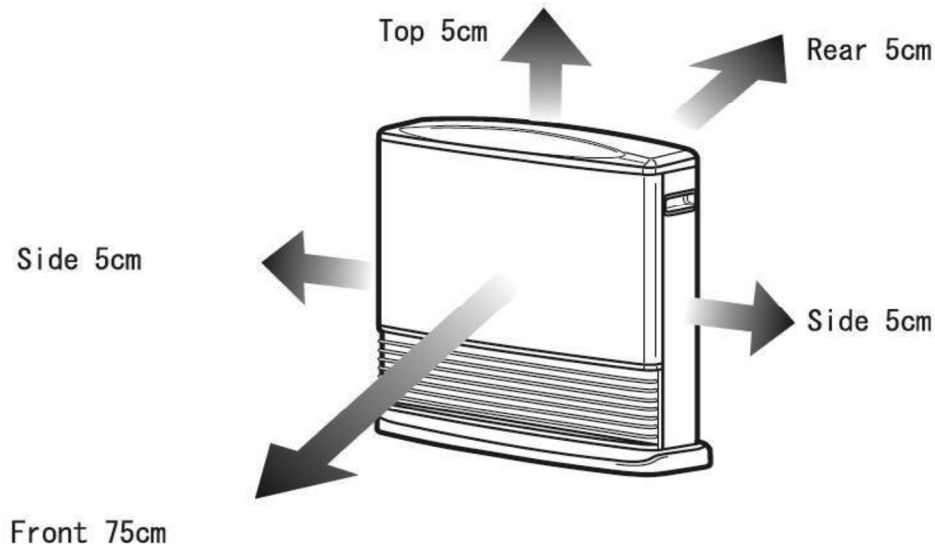


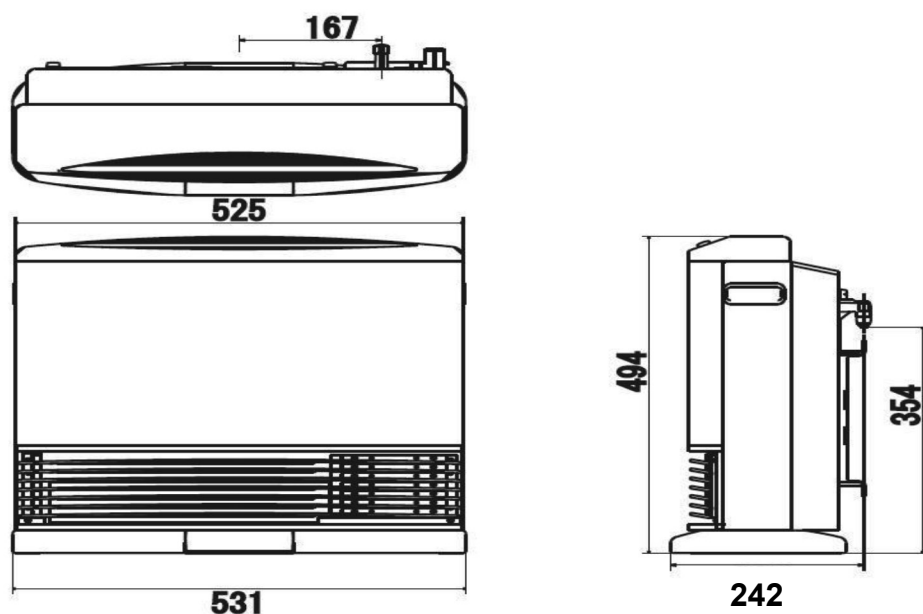
## Installation

- This heater must be installed with a minimum clearance of 50mm from the rear and sides. These clearances must be maintained at all times.
- There must be a minimum clearance of 750mm from the hot air outlet.



- Do not install in a room with inadequate ventilation – refer to Australian Standard AS5601.
- Do not install on an uneven surface or a vibrating floor.
- Do not install directly on to carpet or timber floor or vinyl floor or cork floors. Heat emanating from these appliances may discolour the carpet or damage your floor. It is recommended that a mat or flat board be placed in front of this appliance extending at least 800mm in front of it.
- Do not install near a door or windy location or under shelves or in a confined space. E.G; fireplace.
- Do not install in a bedroom or bathroom or combined living/sleeping areas or toilets or sauna.
- Do not install where flammable materials are likely to come into contact with the heater.
- Do not install where water may splash or near another heat source.
- Do not install in a caravan, mobile home or recreational vehicle.
- Do not connect to a Propane (LPG) gas cylinder indoors.
- This appliance is not designed to be built into walls or cupboards.
- If you move house check the gas type in the house where you are moving to.
- The bayonet plug on the factory fitted flexible hose simply plugs into your bayonet fitting.
- Do not place heater against wall or on a shelf.
- Always place heater on flat surface and away from strong draughts.
- It is recommended that a dedicated 240V 10Amp power point be used with this appliance. Do not use power boards or double adaptors to operate this appliance. Heater must not be located below a power socket – outlet.
- Turn the heater off after use. Do not unplug the heater while it is in operation or while the fans are still cycling.
- Do not move the heater while it is in operation.
- When the heater is operated for the first time or after long periods of non use a slight odour may be emitted, this is normal. However if odours persist switch off the heater and contact Rheem Service.

## EXTERNAL DIMENSIONS (mm)



### Preparation

- (1) Remove heater from carton.
- (2) Please ensure that the gas specified on the rating plate matches your gas supply. Using a different type of gas may cause an explosive ignition resulting in injury, damage to heater or malfunction of the oxygen depletion safety system. Do not install heater if it is the wrong gas type. Please contact your place of purchase immediately.
- (3) Check room sizing – refer specifications. Do not install if the actual room size is less than the specified minimum room size requirements.
- (4) A dedicated 240V Earthed 10 Amp power point must be used with this heater.

**Notice to Victorian Customers:** This appliance must be installed by a licensed person as required by the Victorian Building Act 1993. Only a licensed person will give you a compliance certificate showing that the work complies with all relevant standards. Only a licensed person will have insurance protecting their workmanship for 6 years. Make sure you use a licensed person to install this heater and ask for a compliance certificate. – Message from the Victorian Plumbing Commission.

### Safety Instructions

To ensure safe and proper use of this heater, please read these instructions carefully.

**Danger** – Indicates an immensely hazardous situation which, if not avoided, will result in serious injury or death in the most extreme situations.

**Warning** – Indicates a potentially hazardous situation which, if not avoided, could result in serious injury or death in the most extreme situations.

**Caution** – indicates a potentially hazardous situation which, if not avoided, may result in minor injury.

## Danger

If a gas leak is detected:

- Do not turn power switches on or off.
- Do not plug or unplug electrical appliances.
- Do not use the telephone.

Flame or sparks may ignite the gas and cause a fire:

- Cease operation immediately and close the gas valve.
- Open windows and doors for ventilation.
- Contact your gas supplier, a licensed plumber or Rheem Service on 131 031.

## Warnings

- **DO NOT PLACE ARTICLES ON OR AGAINST THIS APPLIANCE.**
- **DO NOT SPRAY AEROSOLS IN THE VICINITY OF THIS APPLIANCE WHILST IT IS IN OPERATION.**
- **DO NOT USE OR STORE FLAMMABLE MATERIALS NEAR THIS APPLIANCE.**
- **DO NOT MODIFY THIS APPLIANCE.**
- **THIS HEATER IS NOT INTENDED FOR USE AS A FIREPLACE INSERT.**
- **NOT TO BE CONNECTED TO AN LPG GAS CYLINDER LOCATED INDOORS.**
- For information on the gas consumption and gas type please see data plate.
- Please ensure that the gas specified on the rating plate matches your gas supply. Using a different type of gas may cause an explosive ignition resulting in injury, damage to heater or malfunction of the oxygen depletion safety system. Do not install heater if it is the wrong gas type. Please contact your place of purchase immediately.
- Electrical supply must be 240v, 50 Hz.
- Use only the gas hose supplied with the heater to avoid risk of gas leakage.
- Ventilation and room sizing must comply with local regulations. This heater is not intended for a fireplace insert.
- Ensure your room is correctly ventilated while unit is operating. Continuous use decreases the oxygen level in the room which activates the oxygen depletion safety system.
- Do not allow curtains or other flammable materials or aerosol cans to come into contact with the heater. It may cause a fire or the pressure in the aerosol-can may increase resulting in an explosion.
- Do not use or store gasoline, benzene, aerosol or any other flammable material near this appliance. It may result in a fire.
- Do not post or allow children to post articles such as paper, cloth or any other foreign material into the louvres or air inlet of the heater. Do not block the louvres or the air inlet of the heater. This may cause a fire or overheat the appliance.
- Do not leave the heater unattended or alight when you leave the house.
- Do not sit, stand or sleep directly in front of the heater. Receiving direct heat continuously may cause low temperature burns. The aged, children, a very tired person, a person with sensitive skin or an intoxicated person must be supervised at all times.
- If your heater fails to operate correctly or you detect any unusual odours during its operation, cease operation immediately and close the gas valve. Refer to the trouble shooting section of these instructions and if the problem cannot be fixed please contact your gas supplier or Rheem service.
- This heater must be repaired or serviced by an authorised person. Repairs carried out by an unauthorised person may cause abnormal operation. The heater must be serviced at least once every three (3) years.

- Do not use this heater in areas where spray painting is taking place or in areas such as hairdressers where there may be lots of fluff and dust or where aerosols may be used.
- All replacement parts must be approved Paloma spare parts.
- This heater may circulate large volumes of air. If the air in the room contains any cigarette smoke or cooking vapours, it may affect the appearance of carpets, furniture and drapes, etc.
- Clean the air filter regularly (at least once a week).

### **Caution**

- Do not move the heater during operation.
- Do not use for any other purpose other than for heating. Must only be used as a space heater.
- Do not touch the warm air outlet during operation. Supervise young children or infirm persons near the heater. Also ensure that children do not play with this appliance.
- Do not sit, stand or lean on the heater.
- Do not insert your fingers into the louvres or the air inlet of the heater.
- Do not cut the electrical cord to extend the lead. Install the heater where the original electrical cord reaches a wall socket.
- Do not unplug or shut down during operation. This may cause overheating.
- Do not place the heater near an opening door. The heater could be knocked over.
- Do not touch the electric plug with wet hands as this could cause an electric shock.
- Do not pull the electrical cord to unplug as this could break the cord and start a fire.
- Place a flat board for stability when placing the heater on soft or thick carpet. Placing directly on to a carpet may discolour the carpet.
- Ensure that recommended clearances are maintained at all times.
- This heater is designed for domestic household applications only. Using this heater in commercial applications will shorten its life significantly.
- In case of thunderstorms, cease operation and unplug the electrical cord.
- Do not use sprays containing silicon in the vicinity of the heater. It damages the oxygen depletion safety device.
- Do not install in a place where the heater may be affected by wind. The flame could be blown out by a strong wind.
- Do not place articles on or against or in front of warm air outlet or air filter of this appliance.
- If the heater is shut off by the oxygen depletion safety system, please ensure you ventilate the room immediately for satisfactory combustion.
- Prior to operation of the unit please ensure that the gas hose is removed from the holding clips, uncoiled and installed into your bayonet fitting without any kinks in the hose.